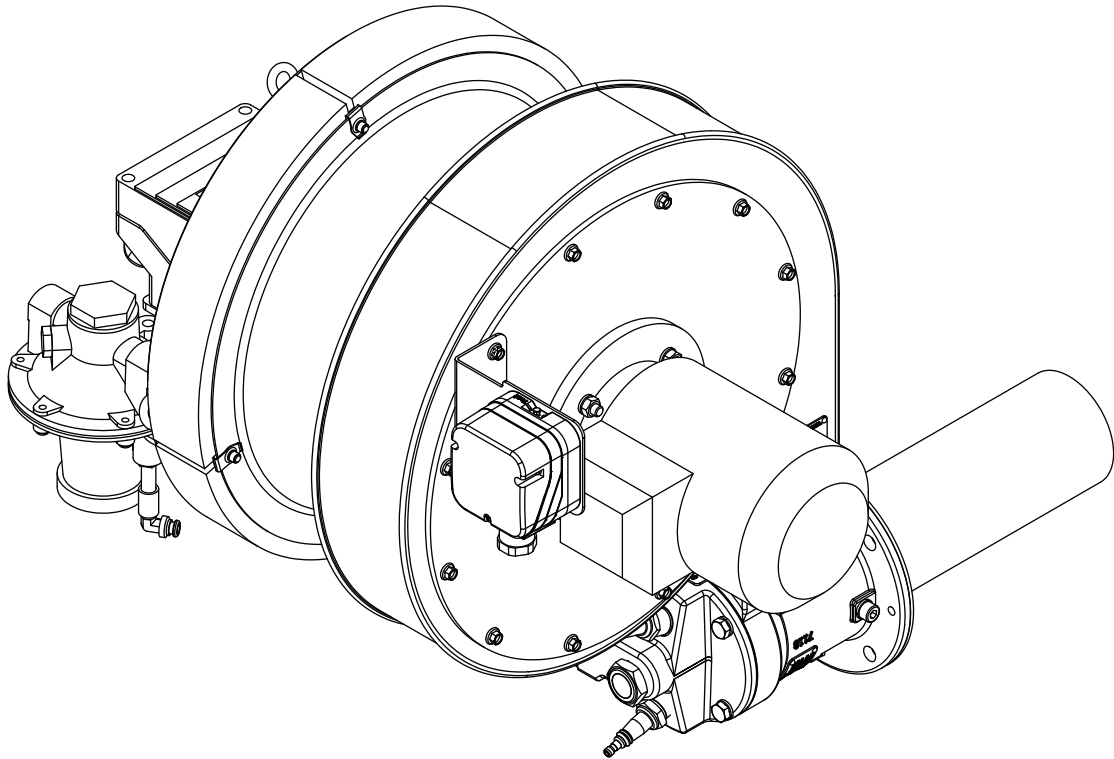


Eclipse ThermAir Burners

Model TA0015 - 0500

Operating Instructions Edition 08.15

Version 3



Copyright

Copyright 1998 by Eclipse, inc. All rights reserved worldwide. This publication is protected by federal regulation and shall not be copied, distributed, transmitted, transcribed or translated into any human or computer language, in any form or by any means, to any third parties, without the express written consent of Eclipse, inc.

Disclaimer Notice

In accordance with the manufacturer’s policy of continual product improvement, the product presented in this brochure is subject to change without notice or obligation.

The material in this manual is believed adequate for the intended use of the product. If the product is used for purposes other than those specified herein, confirmation of validity and suitability must be obtained. Eclipse warrants that the product itself does not infringe upon any United States patents. No further warranty is expressed or implied.

Liability & Warranty

We have made every effort to make this manual as accurate and complete as possible. Should you find errors or omissions, please bring them to our attention so that we may correct them. In this way we hope to improve our product documentation for the benefit of our customers. Please send your corrections and comments to our Technical Documentation Specialist.

It must be understood that Eclipse’s liability for its product, whether due to breach of warranty, negligence, strict liability, or otherwise is limited to the furnishing of replacement parts and Eclipse will not be liable for any other injury, loss, damage or expenses, whether direct or consequential, including but not limited to loss of use,

income, or damage to material arising in connection with the sale, installation, use of, inability to use, or the repair or replacement of Eclipse’s products.

Any operation expressly prohibited in this manual, any adjustment, or assembly procedures not recommended or authorized in these instructions shall void the warranty.

Document Conventions

There are several special symbols in this document. You must know their meaning and importance.

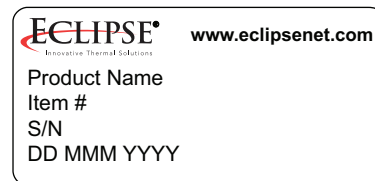
The explanation of these symbols follows below. Please read it thoroughly.

How To Get Help

If you need help, contact your local Eclipse representative. You can also contact Eclipse at:

1665 Elmwood Rd.
 Rockford, Illinois 61103 U.S.A.
 Phone: 815-877-3031
 Fax: 815-877-3336
<http://www.eclipsenet.com>

Please have the information on the product label available when contacting the factory so we may better serve you.



This is the safety alert symbol. It is used to alert you to potential personal injunt hazards. Obey all safety messages that follow this symbol to avoid possible injury or death.



Indicates a hazardous situation which, if not avoided, will result in death or serious injury.



Indicates a hazardous situation which, if not avoided, could result in death or serious injury.



Indicates a hazardous situation which, if not avoided, could result in minor or moderate injury.

NOTICE

Is used to address practices not related to personal injury.

NOTE

Indicates an important part of text. Read thoroughly.



Table of Contents

Introduction	4
Product Description	4
Audience	4
Purpose	4
ThermAir Documents	4
Related Documents	4
Safety	5
Introduction	5
Safety Warnings	5
Capabilities	5
Operator Training	5
Replacement Parts	5
Installation	6
Introduction	6
Handling & Storage	6
Approvals of Components	6
Checklist Before Installation	7
Installing the Flame Sensor	7
Burner Installation	7
Gas Piping	9
Checklist After Installation	10
Adjustments, Start & Stop	11
Introduction	11
System 1: Burner Adjustment with a Ratio Regulator	11
Step 1 Reset the System	11
Step 2 Verify Air Flow	12
Step 3 Ignite the Burner	12
Step 4 Set High Fire Gas	13
Step 5 Set Low Fire Gas	14
Step 6 Verify Gas Settings	14
Step 7 Stop Procedure	14
System 2: Burner Adjustment without a Ratio Regulator	14
Step 1 Reset the System	14
Step 2 Verify Air Flow	15
Step 3 Ignite the Burner	16
Step 4 Set High Fire Gas	16
Step 5 Set Low Fire Gas	16
Step 6 Verify Gas Settings	16
Step 7 Stop Procedure	17
Maintenance & Troubleshooting	18
Monthly Checklist	18
Yearly Checklist	18
Troubleshooting Guide	19
Appendix	i
Conversion Factors	i
Key to System Schematics	ii

Introduction

1

Product Description

The ThermAir is a nozzle-mix burner with a packaged combustion air blower that is designed to fire with fixed combustion air over a wide gas turndown range. An integral gas orifice is provided to ease burner setup. The burner is designed for:

- fixed air operation
- direct spark ignition
- simple gas control
- multiple fuel capability

The burner is suitable for direct and indirect air heating for a wide range of applications on industrial furnaces and ovens including:

- Dry-off and curing ovens
- Incinerators
- Indirect Air Heating
- Textile Drying
- Food Processing/Baking
- Annealing
- Aluminum Homogenizing

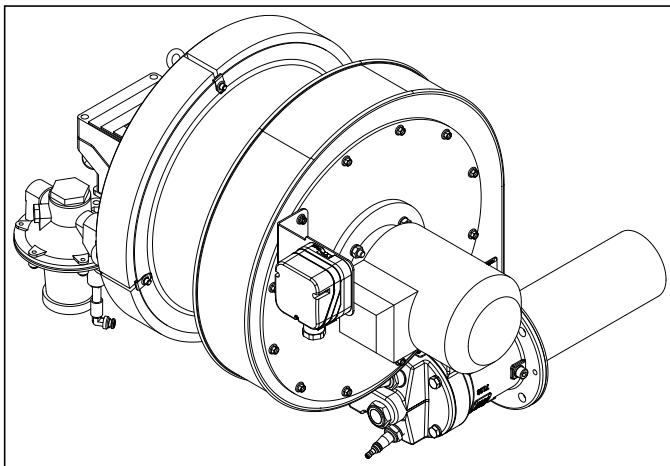


Figure 1.1. ThermAir Burner

Audience

This manual has been written for people who are already familiar with all aspects of a nozzle-mix burner and its add-on components, also referred to as “the burner system”.

These aspects are:

- Installation
- Use
- Maintenance

The audience is expected to have previous experience with this type of equipment.

Purpose

The purpose of this manual is to ensure that the installation of a safe, effective, and trouble-free combustion system is carried out.

ThermAir Documents

Installation Guide No. 114

- This document

Datasheet, Series No. 114

- Available for individual TA models
- Required to complete design & selection

Design Guide No. 114

- Used with datasheet to design burner system

Spares Parts Documents, Series No. 114

- Recommended replacement part information

Related Documents

Eclipse Bulletins and Information Guides

- EFE 825 (Combustion Engineering Guide)
- 710, 732, 760, 818, 830, 832, 852, 854, 856, 610, 820, 902, 930

Safety

2

Important notices which help provide safe burner operation will be found in this section. To avoid personal injury and damage to the property or facility, the following warnings must be observed. All involved personnel should read this entire manual carefully before attempting to start or operate this system. If any part of the information in this manual is not understood, contact Eclipse before continuing.

Safety Warnings



DANGER

- **The burners, described herein, are designed to mix fuel with air and burn the resulting mixture. All fuel burning devices are capable of producing fires and explosions if improperly applied, installed, adjusted, controlled or maintained.**
- **Do not bypass any safety feature; fire or explosion could result.**
- **Never try to light a burner if it shows signs of damage or malfunction.**



WARNING

- **The burner and duct sections are likely to have HOT surfaces. Always wear the appropriate protective equipment when approaching the burner.**
- **Eclipse products are designed to minimize the use of materials that contain crystalline silica. Examples of these chemicals are: respirable crystalline silica from bricks, cement or other masonry products and respirable refractory ceramic fibers from insulating blankets, boards, or gaskets. Despite these efforts, dust created by sanding, sawing, grinding, cutting and other construction activities could release crystalline silica. Crystalline silica is known to cause cancer, and health risks from the exposure to these chemicals vary depending on the frequency and length of exposure to these chemicals. To reduce the risk, limit exposure to these chemicals, work in a well-ventilated area and wear approved personal protective safety equipment for these chemicals.**

NOTICE

- **This manual provides information regarding the use of these burners for their specific design purpose. Do not deviate from any instructions or application limits described herein without written approval from Eclipse.**

Capabilities

Only qualified personnel, with sufficient mechanical aptitude and experience with combustion equipment, should adjust, maintain or troubleshoot any mechanical or electrical part of this system. Contact Eclipse for any needed commissioning assistance.

Operator Training

The best safety precaution is an alert and trained operator. Train new operators thoroughly and have them demonstrate an adequate understanding of the equipment and its operation. A regular retraining schedule should be administered to ensure operators maintain a high degree of proficiency. Contact Eclipse for any needed site-specific training.

Replacement Parts

Order replacement parts from Eclipse only. All Eclipse approved valves or switches should carry UL, FM, CSA, CGA and/or CE approval where applicable.



Installation

Introduction

In this chapter you will find information and instructions needed to install the ThermAir and system components.

Handling & Storage

NOTICE

- **When refractory combustion block is supplied with the burner, it is critical that the instructions for handling and storage are followed. The refractory should be considered fragile; improper handling and storage will cause premature failure.**

Handling

- Inspect the system, being sure the components are clean and free of damage.
- Use the appropriate support and handling equipment when lifting the burner.
- Protect all components on the system from weather, damage, dirt and moisture.
- Protect the system and its components from excessive temperatures and humidity.

Storage

- Make sure the components are clean and free of damage.
- Store the components in a cool, clean, dry room.
- Keep all system components in their original packaging as long as possible.

Approval of Components

Limit Controls & Safety Equipment

All limit controls and safety equipment must comply with all applicable local codes and/or standards and must be listed for combustion safety by an independent testing agency. Typical application examples include:

- American: NFPA 86 with listing marks from UL, FM, CSA
- European: EN 746-2 with CE mark from TuV, Gastec, Advantica

Electrical Wiring

All the electrical wiring must comply with all applicable local codes and/or standards such as:

- NFPA Standard 70
- IEC60364
- CSA C22
- BS7671

Gas Piping

All the gas piping must comply with all applicable local codes and/or standards such as:

- NFPA Standard 54
- ANSI Z223
- EN 746-2

Where to Get the Standards:

The NFPA Standards are available from:

National Fire Protection Agency
Batterymarch Park
Quincy, MA 02269
www.nfpa.org

The ANSI Standards are available from:

American National Standard Institute
1430 Broadway
New York, NY 10018
www.ansi.org

The UL Standards are available from:

333 Pfingsten Road
Northbrook, IL 60062
www.ul.com

The FM Standards are available from:

1151 Boston-Providence Turnpike
PO Box 9102
Norwood, MA 02062
www.fmglobal.com/approvals

Information on the EN standards and where to get them is available from:

Comité Européen de Normalisation
Stassartstraat 36
B-1050 Brussels
Phone: +32-25196811
Fax: +32-25196819
www.cen.eu

Comité Européen de Normalisation Electronique
Stassartstraat 36
B-1050 Brussels
Phone: +32-25196871
Fax: +32-25196919
www.cenelec.org

Checklist Before Installation

Air Supply

To admit fresh combustion air from outdoors, provide an opening in the room of at least 1 square inch per 4,000 BTU/hr (6 cm² per 1 kW). If there are corrosive fumes or materials in the surrounding air, find an uncontaminated source to supply air to the burner, or provide a sufficient air filtering system.

Exhaust

Do not allow exhaust fumes to accumulate in the work area. Provide some positive means for exhausting from the furnace and the building.

Access

Make sure that you install the burner in such a way that you can gain easy access for inspection and maintenance.

Environment

Make sure the local environment matches the original operating specifications. Check the following items:

- Voltage, frequency and stability of the electrical power
- Fuel type and supply pressure of the fuel
- Availability of enough fresh, clean combustion air
- Humidity, altitude and temperature of air
- Presence of damaging corrosive gases in the air
- Prevent direct exposure to water.

Installing the Flame Sensor

1. Install the flame sensor into the 1/2" NPT opening in the rear cover.
2. Make sure the flame sensor of a burner is connected to the electrical circuit for that burner.



DANGER

- If you connect the flame sensor of a burner to the electrical circuit of the wrong burner, you can cause fires and explosions.

There are two different types of flame sensors, UV scanner and flamerod.

UV Scanner

The UV Scanner must be compatible to the flame monitoring control that is used. Refer to the manual of your selected control for proper scanner selection.

Flame Rod

NOTE: Only specific burner sizes with alloy or silicon carbide combustors can use a flame rod (see specific burner datasheets).

For detailed information on how to install and connect a flame rod refer to Bulletin/Info Guide 832.

Installing the Spark Plug

Install the spark plug into the opening in the rear cover.

NOTE: Do *not* apply any grease to the threads of the spark plug. You can cause inadequate grounding of the spark plug if you apply grease to it. Poor grounding of the spark plug results in a weak spark.

NOTICE

- Adjustments may vary from Eclipse published values if the flame controls other than those recommended in the Design Guide are used. Consult with the engineer who specified the alternate control for limitations.

Burner Installation

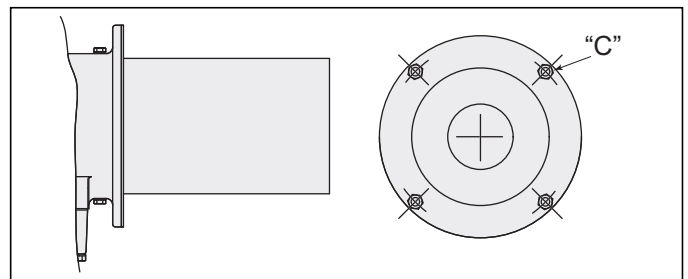


Figure 3.1 Burner Attachment

Dimensions

The burner attaches to the wall of the chamber with bolts through holes "C". For full information on the burner dimensions, refer to specific datasheets.

Chamber Wall

Make sure that the wall of the chamber is strong enough to support the weight of the burner. If necessary, reinforce the area where you plan to install the burner to support the weight of the burner.

Refractory furnace walls must allow for thermal expansion as recommended by the refractory supplier – the wall should apply no stress on the burner block or refractory layer surrounding the burner block. Expansion joints built into the furnace wall should permit the furnace shell, burner block holder, combustor or burner block and surrounding refractory to move as a unit in the event of unequal expansion of the refractory wall and furnace shell.

The combustor or combustion block must not extend beyond the inside of the furnace wall more than 1". Beyond this length it is necessary to add a spacer on the outside of the furnace to keep the end of the combustor or combustion block within 1/2" of the end of the wall.

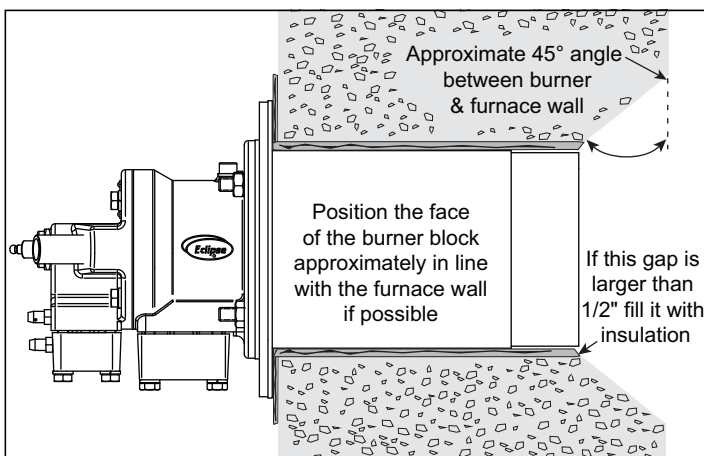


Figure 3.2 ThermAir Combustor Position

If the combustor or burner block is shorter than the furnace wall thickness the block or combustor should be recessed into the wall. To prevent refractory overheating, a 45° chamfer should be applied.

Avoid Losses

To make sure that heat does not go back to the casing of the chamber, it is important that the radial clearance around the firing tube is filled with ceramic fiber.

Alloy Combustor (Figure 3.3)

1. Make sure the gasket ❶ is installed between the burner and the chamber wall ❷.
2. Make sure that gasket ❶ does not leak.
3. Check the size of the clearance. If the gap ❸ around the firing tube is larger than 1/2", then pack the gap with ceramic fiber ❹.

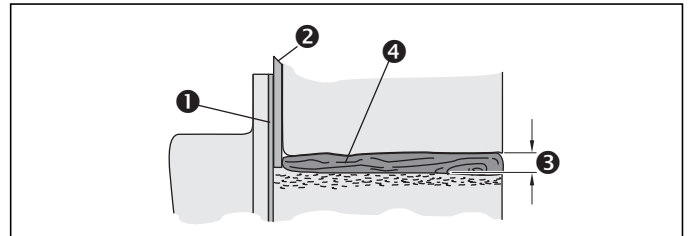


Figure 3.3 Alloy Combustor

Silicon Carbide (SiC) Combustor Only (Figure 3.4)

1. Make sure the gasket ❶ is installed between the burner flange and chamber wall ❷.
2. Make sure gasket ❺ is installed between SiC tube and flange ❻.
3. Make sure neither gasket ❶ nor ❺ leaks.
4. Check the size of the clearance. If the gap ❸ around the firing tube is larger than 1/2", pack the gap with ceramic fiber ❹ over a maximum length of 4" (100 mm). Maintain a clearance of at least 3/16" (5mm) over the remaining straight length of the firing tube.

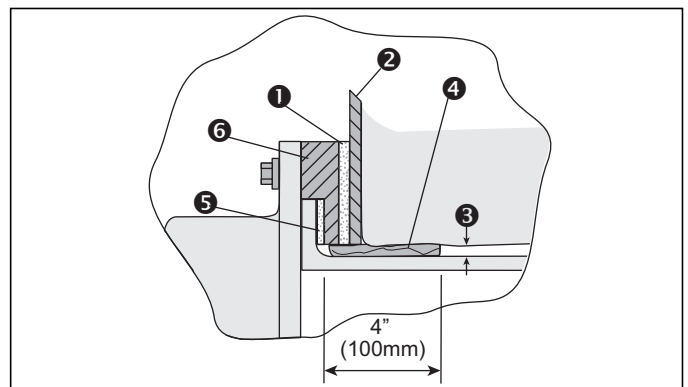


Figure 3.4 Silicon Carbide

Refractory Block (Figure 3.5)

1. Make sure gasket ① is installed between burner ② and block holder.
2. Make sure gasket ④ is installed between block holder ③ and chamber wall ⑤.
3. Support the weight of refractory block ⑥ with hard brick work anchored to the furnace shell ⑦. Fill the 1/2" space between block ⑥ and the three unsupported sides with soft gasket material ⑧.

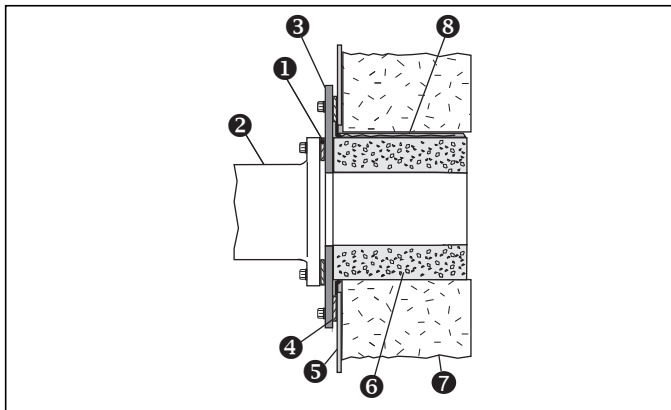


Figure 3.5 Refractory Block

Large Refractory Blocks

On the TA0500; the block must be surrounded by a collar made of brick, plastic refractory, or a castable refractory of at least 4" (10 cm) minimum thickness on all sides of the block. If the collar is cast around the block, a thin plastic film (i.e. Saran Wrap® or Glad Wrap®) should be wrapped around the block to keep moisture from leaching into it. The collar should be anchored to the furnace shell with suitable anchors and must be constructed to rest on a surface capable of supporting its weight, such as a hearth or a solid refractory or brick wall. For furnaces that are unable to support the weight of the refractory block, a stainless steel shelf can be welded to the shell to support the collar.

NOTE: All large refractory blocks are cured at a minimum temperature of 550°F (300°C) prior to shipment.

NOTE: The correct insulation of burner combustion blocks in furnaces results in longer block life and adds value by reducing downtime and maintenance.

Block Holder Temperature

Excessive block holder temperatures can cause problems. Overheating can be reduced by carefully sealing the burner blocks in the wall to prevent the leakage of hot gases back to the furnace shell.

In high temperature (>1,400°F, 760°C) fiber-wall furnace installations, the length of the metallic wrapper should extend no farther than the point in the wall where the interface temperature is higher than 1800°F (760°C).

Vertical Down Firing Blocks (Figure 3.6)

1. Down firing blocks may be suspended by customer supplied hangers ② attached to the burner body mounting bolts.
2. Hangers should be attached to structural support ①.

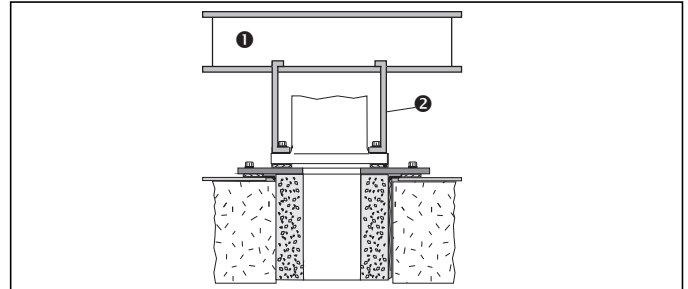


Figure 3.6 Vertical Down Firing Block

Gas Piping (Figure 3.7)

Burner Piping

The burner is factory assembled and shipped as ordered.

NOTE: If it is necessary to redirect piping, be sure the:

- ratio regulator spring column ① is pointing down.
- arrow on the ratio regulator points in the direction of gas flow.
- integral fuel orifice and o-rings ② are re-installed in the same orientation with respect to the fuel flow.
- same straight runs of pipe ③ remains between the ratio regulator and the burner.

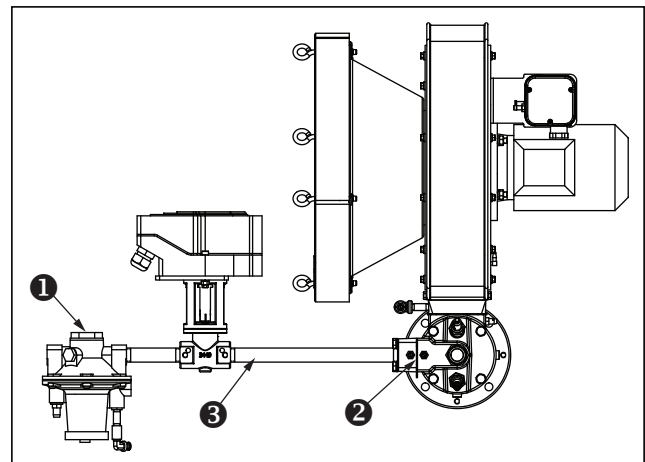


Figure 3.7 Burner Piping

Supply Piping

Inlet pressure to the ratio regulator must stay within specified limits. Refer to the appropriate ThermAir datasheet.

- Locate the valve train close to the burner. The gas must reach the burner during the fixed trial for ignition.
- Appropriately sized shut off valves in the valve train.
- Make sure piping is large enough to accommodate flow required to meet burner input.
- Minimize piping elbows.

Bypass Start Gas Piping (Optional)

Install the piping as shown in the schematics using the following guidelines:

- Locate the bypass start gas solenoids ❶ close to the burner. The gas must reach the burner during the trial for ignition period.
- Minimize piping elbows.
- Install an adjustable limiting orifice (ALO) ❷ for start gas adjustment. Refer to Bulletin 728 and 730 for further information.
- Include a straight run of pipe at least 8" (192mm) long ❸ before (upstream from) the start gas orifice ❹ (optional) and at least 4" (96mm) long ❺ after (downstream from) the start gas orifice.

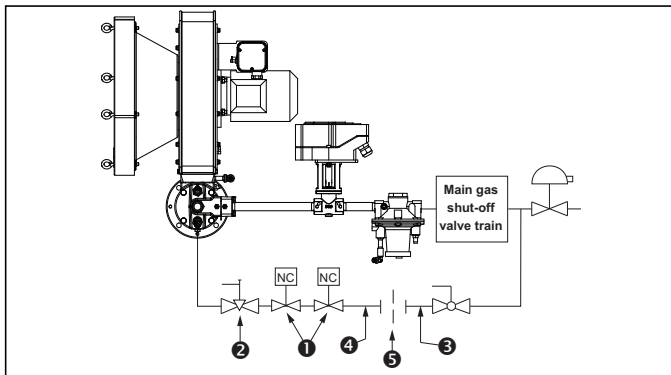


Figure 3.8 Bypass Start Gas Piping

NOTICE

- This is an example. Please verify that piping complies with all applicable codes and/or standards.

Pipe Connections

- Installation of a pipe union in the gas line is recommended to simplify burner removal.
- Use of flexible pipe is optional.

NOTE: Flexible pipe causes higher pressure drops than standard pipe. Consider this when sizing your gas lines.

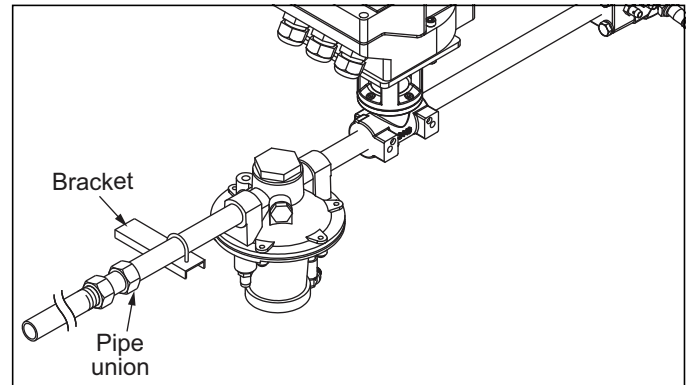


Figure 3.9 Piping Connections

Piping Support

Use brackets or hangers to support the gas piping. If you have questions, consult your local gas company.

Control Motor

Install a control motor to modulate the gas control valve if not previously installed on the burner.

Checklist After Installation

To verify the system was properly installed, perform the following checks:

1. Be sure there are no leaks in the gas lines.
2. Be sure all the components contained in the flame monitoring and control system are properly installed. This includes verifying that:
 - all the switches are installed in the correct locations.
 - all wiring, pressure, and impulse lines are properly connected.
3. Be sure all components of the spark ignition system are installed and functioning properly.
4. Be sure the blower rotates in the proper direction. If the rotation is incorrect, have a qualified electrician rewire the blower to rotate in the proper direction.
5. Be sure all valves are installed in the proper location and correctly oriented relative to the flow direction.

Adjustment, Start and Stop

4

Introduction

In this chapter you will find instructions on how to adjust, start, and stop the burner system. Become familiar with burner control methods before attempting to make adjustments.



DANGER

- **The ThermAir burners, described herein, are designed to mix fuel with air and burn the resulting mixture. All fuel burning devices are capable of producing fires and explosions if improperly applied, installed, adjusted, controlled, or maintained.**
- **Do not bypass any safety features; fires or explosion could result.**
- **Never try to light a burner if it shows signs of damage or malfunction.**

Adjustments

There are two separate system procedures:

System 1

Adjust the ThermAir burner with a ratio-regulator.

System 2

Adjust the ThermAir burner without a ratio-regulator.

System 1: Burner Adjustment with a Ratio Regulator

If you are adjusting a ThermAir burner equipped with a ratio-regulator for the first time, you must follow these steps:

1. Reset the system
2. Verify air flow
3. Ignite the burner
4. Set high fire gas
5. Set low fire gas
6. Verify gas settings
7. Stop procedure

Step 1: Reset the System

1. Set the low gas pressure switch to 20% below the “Main Gas Inlet Pressure” range as specified in the appropriate datasheet.
2. Set the high gas pressure switch to 20% above the “Main Gas Inlet Pressure” range as specified in the appropriate datasheet.
3. Close all the burner gas valves, manual and automatic.
4. Try to ignite the burner; be sure the flame monitoring system indicates a flame failure.
5. Activate the pressure switches and other limit interlocks. Be sure the switches fail as intended in the event of a power failure.



DANGER

- **If simulated limits or simulated flame failure do not shut down the fuel system within the required failure response time, immediately correct the problem before proceeding.**
6. If the burner is firing into a duct or chamber with a circulating fan, start the fan to produce a full process air flow past the burner.
 7. Adjust main gas inlet pressure to the ratio regulator within the range specified in the appropriate datasheet.



WARNING

- **Gas inlet pressures must stay within the specified range. Pressure above the specified range can damage the ratio regulator.**
 - **Pressure below the specified range can impair the ability of the ratio regulator to control the gas flow.**
 - **Operating the system outside the specified range can cause excess fuel consumption and the possible accumulation of unburned fuel in the chamber. In extreme cases, this accumulation of unburned fuel may cause fires or explosions.**
8. Start the combustion air blower.

Step 2: Verify Air Flow

TA0015, 0025, 0040, 0075, 0100, 0200

1. Make sure that the pressure tap located on the chamber is open.
2. Connect the manometer to the chamber pressure tap.
3. Measure the chamber air pressure.
4. Determine actual air flow from the burner specific datasheet “Air Flow vs. Chamber Pressure Chart” for the burner being setup.
5. Remove the manometer.
6. Close the pressure tap.

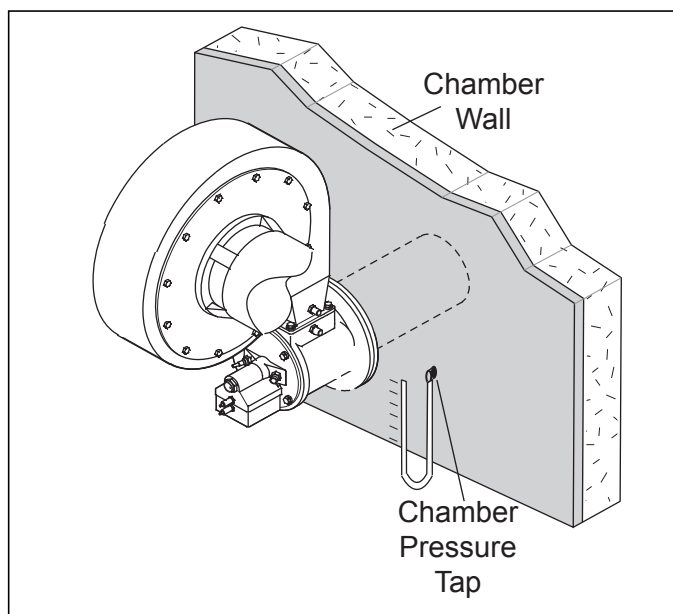


Figure 4.1 TA0015 thru TA0200

TA0300, 0400, 0500

1. Make sure that pressure taps A and C are open.
2. Connect the manometer to taps A and C.
3. Measure the air differential pressure.
4. Determine actual air flow from the burner specific datasheet “Air Flow vs. Air Orifice Differential Pressure” for the burner being setup.
5. Remove the manometer.
6. Close the pressure taps.

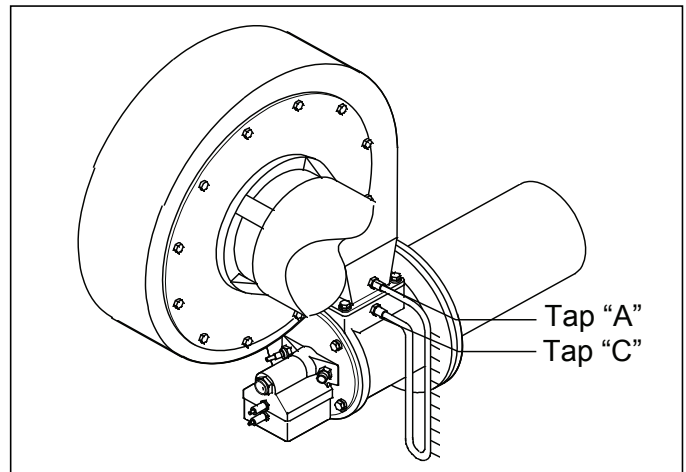


Figure 4.2 TA0300 thru TA0500

NOTE: A pressure tap is open when the screw inside the tap is unscrewed approximately half a turn.

NOTE: Chamber pressure will directly influence air flow from the blower. Air flows should be rechecked once the process reaches its operating temperature and pressure. An oxygen analyzer may be used to confirm air flow rates once the system is operating.

Step 3: Ignite the Burner



WARNING

- This procedure is written with the assumption the burner has a flame monitoring control system installed and operating. A proper purge cycle must be part of the system and purge timing should not be bypassed.

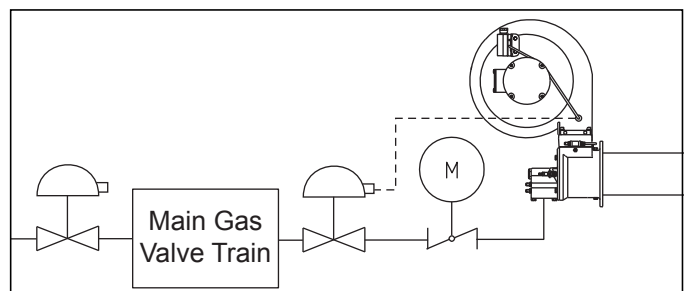


Figure 4.3 Schematic of Burner and Control Valves

1. Drive the gas control valve to low fire.

NOTE: All ThermAir burners are limited to ignition at inputs below 40% of maximum unless the control circuit in Design Guide 114 is followed.

2. Make sure the combustion air blower is running.

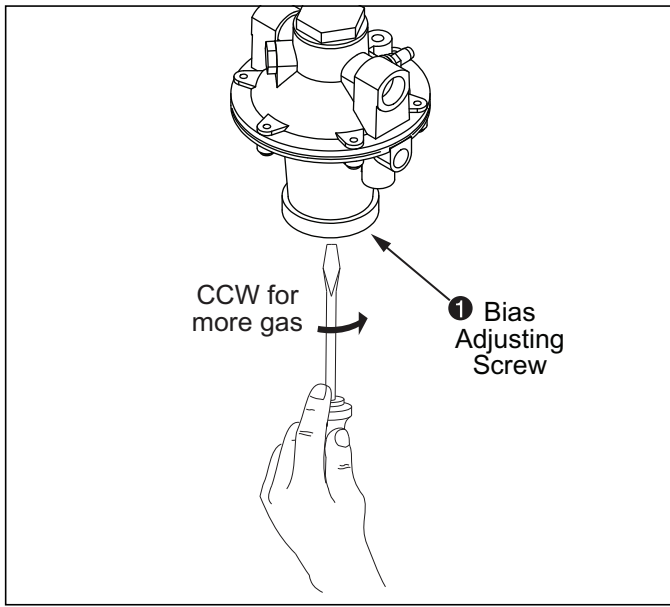


Figure 4.4

3. Open all manual gas valves feeding the burner.
4. Initiate the ignition sequence through the flame monitoring control system.
5. If burner does not ignite.
 - a. Attempt to ignite burner again to purge air from the gas piping.
 - b. If burner still does not ignite, turn bias adjusting screw ① a half turn counterclockwise to increase gas flow.
 - c. Attempt to ignite the burner (Repeat Step 5).
 - d. Repeat step **b** and **c** until burner ignites. If necessary, refer to Chapter 5 for troubleshooting tips.
6. Flame signal strength: Adjust gas flow with bias adjusting screw ① for lowest gas flow that maintains a stable flame signal.
 - Counterclockwise, for more fuel
 - Clockwise, for less fuel
7. Verify low fire flame:
 - a. Shut off gas. When chamber temperature is below 250°F (121°C), shut off combustion air blower.
 - b. Restart combustion air blower and ignite burner.
 - c. Verify repeatability of ignition and low fire flame signal.

Step 4: Set High Fire Gas

1. If the burner has and is ignited, drive the main gas control valve to high fire (full open).
2. Verify air flow with the burner firing, repeat Step 2 “Verify Air Flow”.

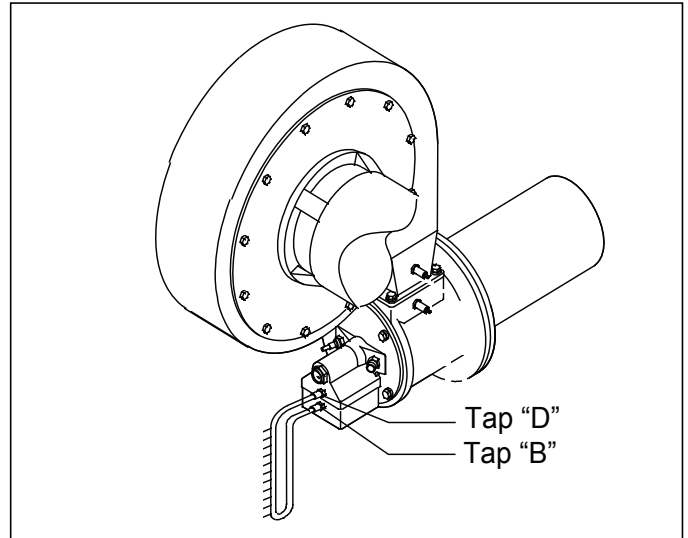


Figure 4.5

3. Make sure that pressure taps B and D are open.
 4. Connect the manometer to taps B and D.
 5. Measure the gas differential pressure.
 6. Use the gas curve from the appropriate ThermAir datasheet for the gas being used to find the differential gas pressure needed at high fire.
- NOTE:** Select the appropriate gas orifice differential pressure based upon the desired amount of excess air in the burner.
7. Readjust the control valve linkage to achieve the desired high fire gas flow.

NOTE: The ThermAir gas orifice is sized to limit high fire gas flow to approximately 15% excess air with a packaged burner assembly purchased with a ratio regulator and gas control valve.

8. Once the chamber conditions stabilize, (i.e. pressure and temperature), repeat items 2 through 7.
9. Check the gas pressure at the inlet to the ratio regulator. This should be at least 5" w.c. (12,5 mbar) higher than the loading line pressure. It should not exceed the maximum pressure rating of the ratio regulator.

**WARNING**

- **Insufficient gas inlet pressure may cause the ratio regulator to remain fully open if there is a loss of air flow to the burner. This can cause excess fuel operation and the possible accumulation of unburned fuel in the chamber. In extreme cases, this may cause explosions or fires.**

10. Remove the manometer.

11. Close the pressure taps.

Step 5: Set Low Fire Gas

1. Drive the main gas control valve to low fire.
2. Adjust the control valve linkage to provide the desired low fire gas flow.

NOTE: It is very difficult to measure the very low gas pressures experienced at low fire, and it may be necessary to rely on visual inspection of the flame. This is especially true when gas turndowns in excess of 10 to 1 are being used. The main intent is to provide a stable flame with good flame signal that will not cause the chamber temperature to overshoot.

Step 6: Verify Gas Settings

Make sure that all settings are still the same after cycling the system several times between high and low fire.

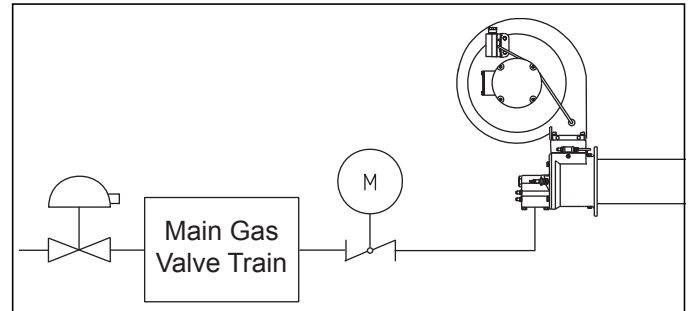
Step 7: Stop Procedure**CAUTION**

- **Do not turn the combustion air blower off until the chamber temperature is below 250° (121°C). This will prevent hot gases from back flowing into the burner and blower causing damage to the burner.**

1. Stop the burner through the burner control system.
2. Run the combustion air blower until the chamber temperature drops below 250° (121°C).
3. Shut off the combustion air blower.
4. Close all manual gas valves to the burner.

System 2: Burner Adjustment Without a Ratio-Regulator

You must provide a constant fuel inlet pressure to the burner to insure proper burner operation. If you are not using a burner equipped with a ratio-regulator, you must provide a service pressure regulator in order to maintain a constant inlet pressure to the burner.

**Figure 4.6**

If you are adjusting a ThermAir burner equipped without a ratio-regulator for the first time, you must follow these steps:

1. Reset the system
2. Verify air flow
3. Ignite the burner
4. Set high fire gas
5. Set low fire gas
6. Verify gas settings
7. Stop Procedure

Step 1: Reset the System

1. Set the low gas pressure switch to 20% below the "Main Gas Inlet Pressure" range as specified in the appropriate datasheet.
2. Set the high gas pressure switch to 20% above the "Main Gas Inlet Pressure" range as specified in the appropriate datasheet.
3. Close all the burner gas valves, manual and automatic.
4. Try to ignite the burner; be sure the flame monitoring system indicates a flame failure.
5. Activate the pressure switches and other limit interlocks. Be sure the switches fail as intended in the event of a power failure.

! DANGER

- If simulated limits or simulated flame failure do not shut down the fuel system within the required failure response time, immediately correct the problem before proceeding.
6. If the burner is firing into a duct or chamber with a circulating fan, start the fan to produce a full process air flow past the burner.
 7. Adjust main gas inlet pressure at Tap B within the range specified in the appropriate datasheet.

! WARNING

- Operating the system outside the specified range can cause excess fuel consumption and the possible accumulation of unburned fuel in the chamber. In extreme cases, this accumulation of unburned fuel may cause fires or explosions.
8. Start the combustion air blower.

Step 2: Verify Air Flow

TA0015, 0025, 0040, 0075, 0100, 0200

1. Make sure that the pressure tap located on the chamber is open.
2. Connect the manometer to the chamber pressure tap.
3. Measure the chamber air pressure.
4. Determine actual air flow from the burner specific datasheet "Air Flow vs. Air Orifice Differential Pressure" chart for the burner being set up.
5. Remove the manometer.
6. Close the pressure tap.

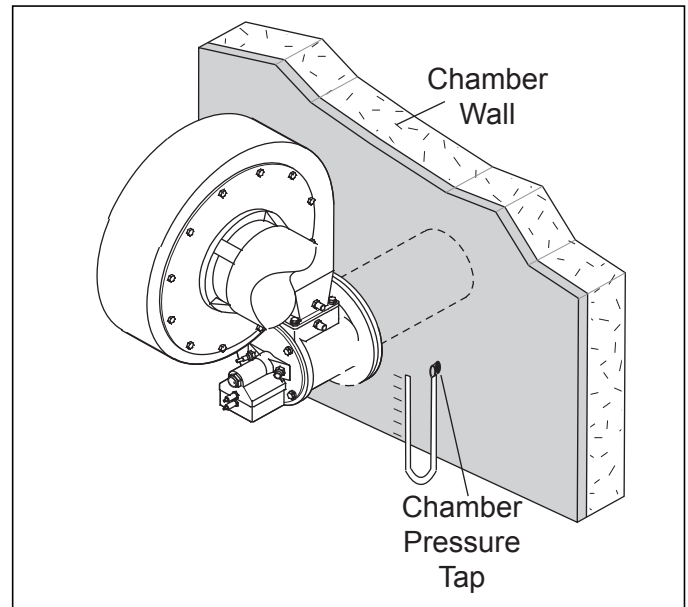


Figure 4.7

TA 0300, 0400, 0500

1. Make sure that pressure tap A and C are open.
2. Connect the manometer to taps A and C.
3. Measure the air differential pressure.
4. Determine actual air flow from the burner specific datasheet "Air Flow vs. Air Orifice ΔP " chart for the burner being set up.
5. Remove the manometer.
6. Close the pressure taps.

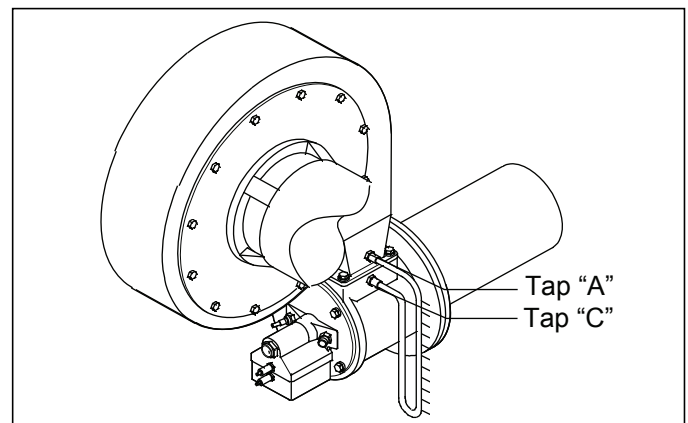


Figure 4.8

NOTE: A pressure tap is open when the screw inside the tap is unscrewed approximately half a turn.

NOTE: Chamber pressure will directly influence air flow from the blower. Air flows should be rechecked once the process reaches its operating temperature and pressure. An oxygen analyzer may be used to confirm air flow rates once the system is operating.

Step 3: Ignite the Burner



WARNING

■ This procedure is written with the assumption the burner has a flame monitoring control system installed and operating. A proper purge cycle must be part of the system and purge timing should not be bypassed.

1. Drive the gas control valve to low fire.

NOTE: All ThermAir burners are limited to ignition at inputs below 40% of maximum unless the control circuit in Design Guide 114 is followed.

2. Make sure the combustion air blower is running.
3. Open all manual gas valves feeding the burner.
4. Initiate the ignition sequence through the flame monitoring control system.
5. Verify that the burner has ignited.

If the burner does not ignite:

- a. Try to ignite again to purge the air out of the gas piping.
- b. If the burner does not ignite after one or two additional ignition attempts, see the Maintenance & Troubleshooting Guide.

Step 4: Set High Fire Gas

1. If the burner has and is ignited, set the main gas pressure regulator for 7" w.c. outlet pressure.
2. Drive the main gas control valve to high fire (full open).
3. Verify air flow with the burner firing, repeat Step 2 "Verify Air Flow".
4. Make sure that pressure taps B and D are open.
5. Connect the manometer to taps B and D.
6. Measure the gas differential pressure.
7. Use the gas curve from the appropriate ThermAir datasheet for the gas being used to find the differential gas pressure needed at high fire.

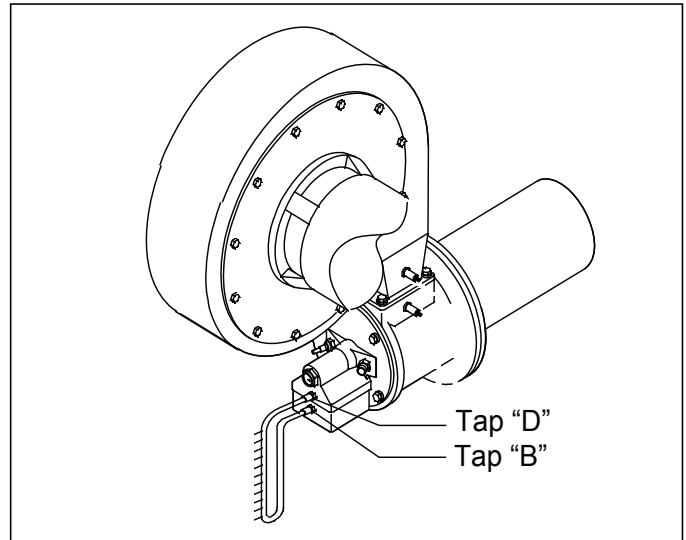


Figure 4.9

NOTE: Select the appropriate gas orifice differential pressure based upon the desired amount of excess air in the burner.

8. Adjust the adjusting screw on the main gas pressure regulator to achieve the desired gas flow.
9. Once the chamber conditions stabilize, (i.e. pressure and temperature), repeat Steps 3 through 8.
10. Remove the manometer.
11. Close the pressure taps.

Step 5: Set Low Fire Gas

1. Drive the main gas control valve to low fire.
2. Adjust the control valve linkage to provide the desired low fire gas flow.

NOTE: It is very difficult to measure the very low gas pressures experienced at low fire, and it may be necessary to rely on visual inspection of the flame. This is especially true when gas turndowns in excess of 10 to 1 are being used. The main intent is to provide a stable flame with good flame signal that will not cause the chamber temperature to overshoot.

Step 6: Verify Gas Settings

Make sure that all settings are still the same after cycling the system several times between high and low fire.

Step 7: Stop Procedure



CAUTION

- **Do not turn the combustion air blower off until the chamber temperature is below 250° (121°C). This will prevent hot gases from back flowing into the burner and blower causing damage to the burner.**
1. Stop the burner through the burner control system.
 2. Run the combustion air blower until the chamber temperature drops below 250° (121°C).
 3. Shut off the combustion air blower.
 4. Close all manual gas valves to the burner.

Maintenance and Troubleshooting

This section is divided into two parts. The first part describes the maintenance procedures, and the second part helps you to identify problems that may occur and gives advice on how to solve these problems.

Preventative maintenance is the key to a reliable, safe and efficient system. The following are suggested guidelines for periodic maintenance. Burners in severe environments or operational conditions should be checked more frequently.

NOTE: The monthly and yearly lists are an average interval. If your environment is dirty, then the intervals may be shorter. Check with local authorities having jurisdiction on their recommended maintenance schedules.



CAUTION

- Turn off power to burner and controls before proceeding with burner inspection.

Monthly Checklist

1. Inspect the flame sensing device for good condition and cleanliness.
2. Check for proper air/gas pressures (refer to the ThermAir datasheets, series 114).
3. Test all the system alarms for proper response signals.
4. Check and clean igniter electrodes.
5. Check valve motors and control valves for free, smooth action and adjustment.
6. Check for proper operation of ventilating equipment.
7. Test the interlock sequence on all safety equipment. Manually force each interlock to intentionally fail while at the same time noting if related equipment closes and stops as specified by the manufacturer. Test the flame safeguard by manually shutting off the gas to the burner.
8. Test the manual gas shut off cocks for proper operation.
9. Clean and/or replace the combustion air blower filter.
10. Inspect and clean the combustion air blower rotor.

Yearly Checklist

1. Test (leak test) safety shut-off valves for tightness of closure.
2. Test pressure switch settings by checking the switch movements against pressure settings and comparing these with the actual impulse pressure.
3. Visually check ignition cable and connectors.
4. Inspect impulse piping for leaks.
5. Clean and inspect all burners
6. Remove and clean the orifice plate ❹, see Figure 5.1.
7. Be sure the following components are not damaged or distorted:
 - the burner nozzle
 - the igniter
 - the flame sensors
 - the combustion tube or block

The nozzle and combustion tube can be inspected without removing the burner from the chamber wall or entering the chamber. See Figure 5.1. Perform the following:

- a. Shut the burner off and manually close the main gas shut off cocks.
- b. Allow the chamber temperature to close down to 250°F (121°C).
- c. Disconnect the gas piping at a union or the gas inlet flange ❶ provided on the burner.
- d. Remove the rear cover bolts ❷.
- e. Remove the rear cover ❸ from the burner housing ❹.
- f. To re-assemble, follow this sequence in the reverse order.

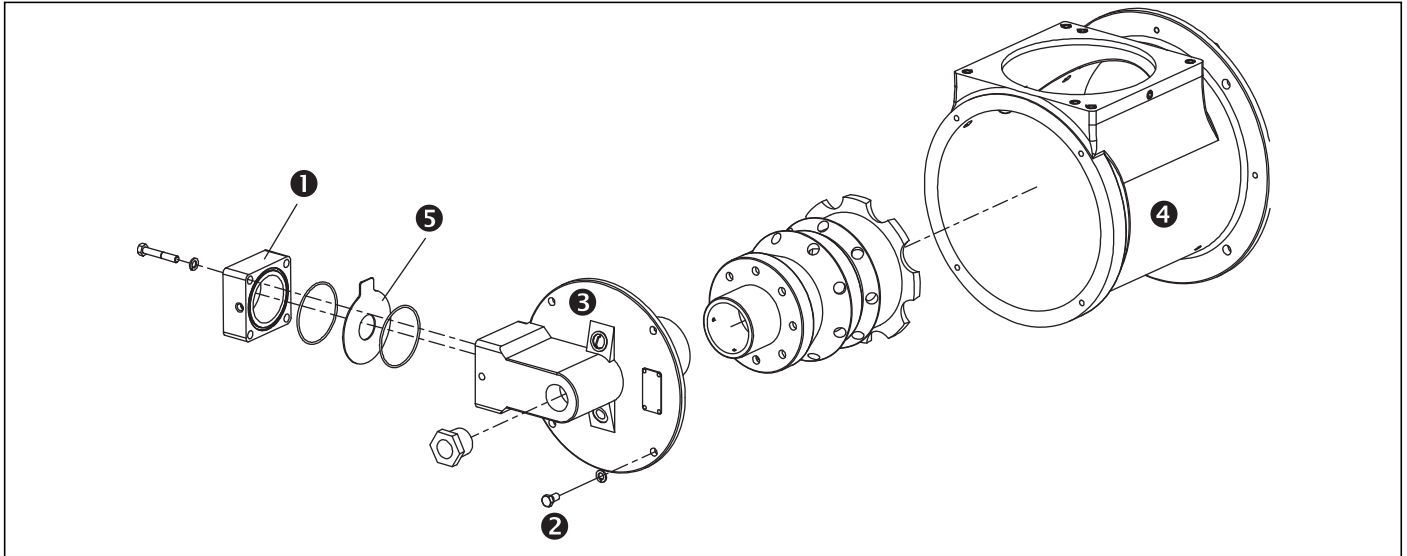


Figure 1.1

Troubleshooting Guide

Problem	Possible Cause	Solution
Start-up sequence runs but burner does not light.	No ignition. Attempting to ignite at inputs greater than 40%.	Reduce start point gas flow. Verify control circuit.
	No ignition. Weak or non-existent spark.	Verify ignition transformer is 6000 to 8000 volt transformer (not half-wave).
	No ignition. There is no power to the ignition transformer.	Restore the power to the ignition transformer.
	No ignition. Open circuit between the ignition transformer and the igniter.	Repair or replace the wiring to the igniter.
	No ignition. The igniter needs cleaning.	Clean the igniter.
	No ignition. The igniter is not correctly grounded to the burner.	Clean the threads on the igniter and the burner. NOTE: do not apply grease to the threads of the igniter.
	No ignition. Igniter insulator is broken. Igniter is grounding out.	Inspect the igniter. Replace if broken.
	Not enough gas. The gas flow into the burner is too low.	Check the start-up settings. Adjust low fire gas setting if necessary.
	Not enough gas. If equipped with ratio regulator, loading line may not be attached.	Reconnect loading line and verify loading pressure.
	Not enough gas. The bypass valve is not open far enough.	Adjust bypass gas flow.
	Not enough gas. Start gas solenoid valve does not open.	Check the solenoid valve coil for proper operation. Replace it if necessary.

Problem	Possible Cause	Solution
Start-up sequence runs but burner does not light (continued).	Not enough gas. Gas valve does not open.	Check the wiring to the automatic gas shut-off valve. Check the output from the flame safeguard. Open manual gas cock.
	No flame signal. Broken flamerod or dirty UV scanner lens.	Inspect and clean sensor. Replace if necessary.
	No flame signal. Flamerod grounding out. (For sizes TA0025-TA0100)	Verify that the flamerod is installed correctly and is the correct length.
	Too much gas. Wrong or missing burner fuel orifice.	Check ThermAir datasheets, series 114 for fuel orifice and the given fuel.
The low fire flame is weak or unstable.	Not enough gas flowing to the burner.	Adjust the gas control valve to increase the gas flow.
	Not enough air.	Check for proper blower rotation. Check air filter for blockage.
The burner goes out when it cycles to high fire.	Too much gas to the burner.	Verify gas orifice size for your fuel using datasheet, series 114. Verify chamber pressure for proper air flow effect. Check the start-up settings. Measure the gas pressures and adjust them where necessary. Check for valve train pressure loss.
	Loading line to the ratio regulator (if installed) is leaking.	Repair the leak in the loading line.
The burner is erratic and does not respond to adjustment.	Internal damage to the burner. Some parts inside the burner are loose, dirty, or burned out.	Contact Eclipse for further information.
The burner is unstable or produces soot or smoke.	The air/gas ratio is out of adjustment.	Measure all the gas pressures and air pressures. Compare these pressures to the documented initial start-up settings and adjust them where necessary.
The burner cannot achieve full capacity	Air filter is blocked. (When equipped with ratio regulator.)	Clean or replace the air filter.
	Gas pressure going into the burner is too low.	Adjust the gas pressure.
	Combustion chamber pressure is too high.	Contact Eclipse for further information

Problem	Possible Cause	Solution
Cannot initiate a start sequence.	Air pressure switch has not made contact.	Check air pressure switch adjustment. Check air filter. Check blower rotation. Check outlet pressure from blower.
	High gas pressure switch has activated.	Check incoming gas pressure. Adjust gas pressure if necessary. Check pressure switch setting and operation.
	Low gas pressure switch has activated.	Check incoming gas pressure. Adjust gas pressure if necessary. Check pressure switch setting and operation.
	Malfunction of the flame safeguard system (i.e. shorted-out flame sensor or electrical noise in the sensor line).	Have a qualified electrician troubleshoot and correct the problem.
	No power to the control unit.	Have a qualified electrician troubleshoot and correct the problem.
	Main power is off.	Be sure the main power to the system is switched to the "on" position.



Appendix

Conversion Factors

Metric to English

From	To	Multiply By
actual cubic meter/h (am ³ /h)	actual cubic foot/h (acfh)	35.31
normal cubic meter/h (Nm ³ /h)	standard cubic foot /h (scfh)	38.04
degrees Celsius (°C)	degrees Fahrenheit (°F)	(°C x 9/5) + 32
kilogram (kg)	pound (lb)	2.205
kilowatt (kW)	Btu/h	3415
meter (m)	foot (ft)	3.281
millibar (mbar)	inches water column ("w.c.)	0.402
millibar (mbar)	pounds/sq in (psi)	14.5 x 10 ⁻³
millimeter (mm)	inch (in)	3.94 x 10 ⁻²
MJ/Nm ³	Btu/ft ³ (standard)	26.86

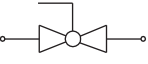
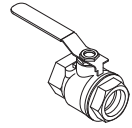
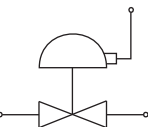
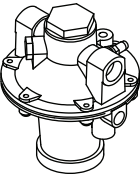


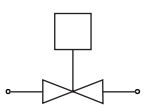
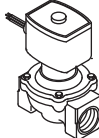

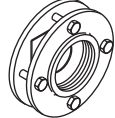

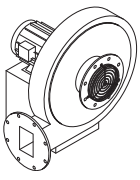
Metric to Metric

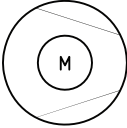
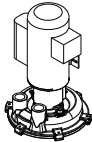
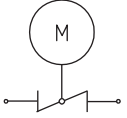
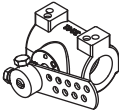
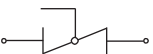
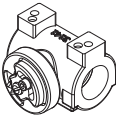
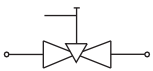

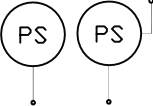

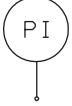

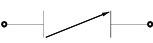
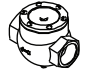
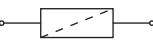
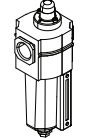

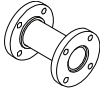
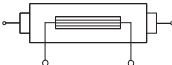
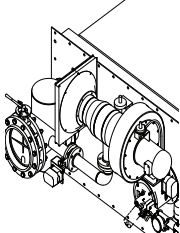

From	To	Multiply By
kiloPascals (kPa)	millibar (mbar)	10
meter (m)	millimeter (mm)	1000
millibar (mbar)	kiloPascals (kPa)	0.1
millimeter (mm)	meter (m)	0.001

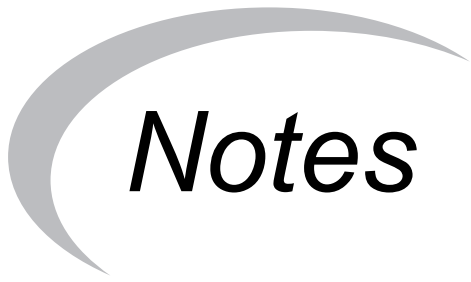
English to Metric

From	To	Multiply By
actual cubic foot/h (acfh)	actual cubic meter/h (am ³ /h)	2.832 x 10 ⁻²
standard cubic foot /h (scfh)	normal cubic meter/h (Nm ³ /h)	2.629 x 10 ⁻²
degrees Fahrenheit (°F)	degrees Celsius (°C)	(°F - 32) x 5/9
pound (lb)	kilogram (kg)	0.454
Btu/h	kilowatt (kW)	0.293 x 10 ⁻³
foot (ft)	meter (m)	0.3048
inches water column ("w.c.)	millibar (mbar)	2.489
pounds/sq in (psi)	millibar (mbar)	68.95
inch (in)	millimeter (mm)	25.4
Btu/ft ³ (standard)	MJ/Nm ³	37.2 x 10 ⁻³

System Schematics

Symbol	Appearance	Name	Remarks	Bulletin/ Info Guide
		Gas Cock	Gas cocks are used to manually shut off the gas supply.	710
		Ratio Regulator	A ratio regulator is used to control the air/gas ratio. The ratio regulator is a sealed unit that adjusts the gas pressure in ratio with the air pressure. To do this, it measures the air pressure with a pressure sensing line, the impulse line. This impulse line is connected between the top of the ratio regulator and the burner body.	
		Main Gas Shut-Off Valve Train	Eclipse strongly endorses NFPA as a minimum.	790/791
		Pilot Gas Valve Train	Eclipse strongly endorses NFPA as a minimum.	790/791
		Automatic Shut-Off Valve	Shut-off valves are used to automatically shut off the gas supply on a gas system or a burner.	760
		Orifice Meter	Orifice meters are used to measure flow.	930
		Combustion Air Blower	The combustion air blower provides the combustion air to the burner(s).	610

Symbol	Appearance	Name	Remarks	Bulletin/ Info Guide
		Hermetic Booster	Booster is used to increase gas pressure.	620
		Automatic Butterfly Valve	Automatic butterfly valves are typically used to set the output of the system.	720
		Manual Butterfly Valve	Manual butterfly valves are used to balance the air or gas flow at each burner.	720
		Adjustable Limiting Orifice	Adjustable limiting orifices are used for fine adjustment of gas flow.	728/730
		Pressure Switch	A switch activated by rise or fall in pressure. A manual reset version requires pushing a button to transfer the contacts when the pressure set point is satisfied.	840
		Pressure Gauge	A device to indicate pressure.	940
		Check Valve	A check valve permits flow only in one direction and is used to prevent back flow of gas.	780
		Strainer	A strainer traps sediment to prevent blockage of sensitive components downstream.	
		Flexible Connector	Flexible connectors isolate components from vibration, mechanical, and thermal stresses.	
		Heat Exchanger	Heat exchangers transfer heat from one medium to another.	500
		Pressure Taps	Pressure taps measure static pressure.	



Notes

