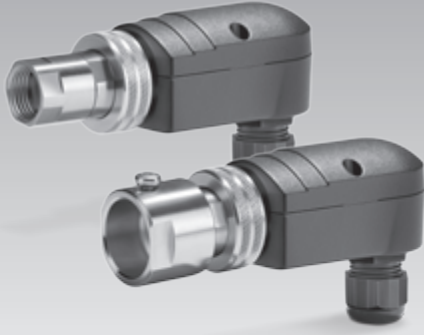


03251352

 → www.docuthek.com

**Operating instructions
UVS 10D0 or UVS 10D4 as a
replacement for UVS 1 with heat
guard**



Contents

**UVS 10D0 or UVS 10D4 as a replacement
for UVS 1 with heat guard** 1

Contents 1

Safety 1

Replacing UVS 1 with heat guard 2

 Replacing UVS 1 with heat guard with
 UVS 10D0 2

 Replacing UVS 1 with heat guard with
 UVS 10D4 2

Contact 2


Safety

Please read and keep in a safe place



Please read through these instructions carefully before installing or operating. Following the installation, pass the instructions on to the operator. This unit must be installed and commissioned in accordance with the regulations and standards in force. These instructions can also be found at www.docuthek.com.

Explanation of symbols

 **1, 2, 3**... = Action
> = Instruction

Liability

We will not be held liable for damage resulting from non-observance of the instructions and non-compliant use.

Safety instructions

Information that is relevant for safety is indicated in the instructions as follows:

 **DANGER**

Indicates potentially fatal situations.

 **WARNING**

Indicates possible danger to life and limb.

! CAUTION

Indicates possible material damage.

All interventions may only be carried out by qualified gas technicians. Electrical interventions may only be carried out by qualified electricians.

Conversion, spare parts

All technical changes are prohibited. Only use OEM spare parts.

Transport

On receipt of the product, check that the delivery is complete (see Part designations). Report any transport damage immediately.

Storage

Store the product in a dry place. Ambient temperature: see Technical data.

Replacing UVS 1 with heat guard

⚠ WARNING

Risk of burning! Hot air may flow out of the viewing tube during and after the removal of the heat guard.

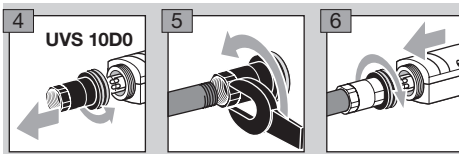
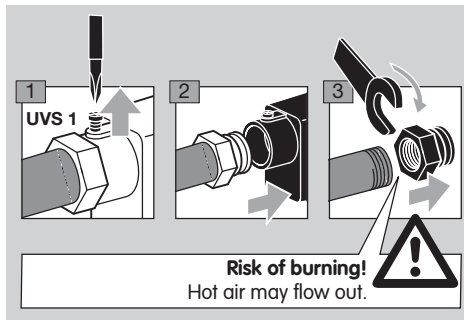
Do not look into the viewing tube without adequate eye protection.

- ▷ The UV sensor UVS 10 is supplied with a quartz glass disc as the heat guard.
- ▷ For optimum control of the UV flame signal, and to avoid condensation, we recommend operating UV sensors UVS 10D with the integrated quartz glass heat guard only.
- ▷ New connection cables must be used for the UVS 10, see UV sensor UVS 10 operating instructions.
- ▷ Replacement options for UVS 1 with heat guard:

| UV sensor | Order No. |
|-----------|-----------|
| UVS 10D0 | 84315200 |
| UVS 10D4 | 84315204 |

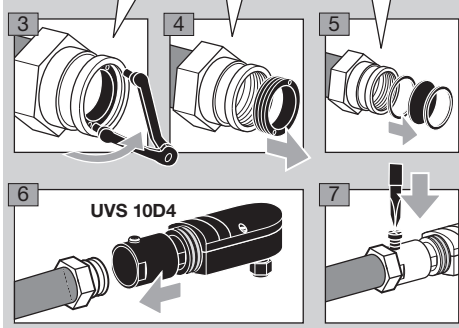
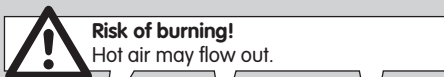
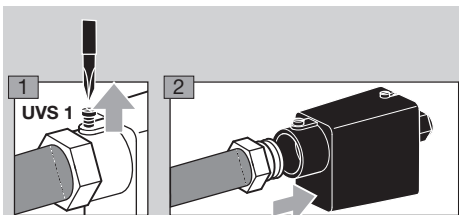
Replacing UVS 1 with heat guard with UVS 10D0

- ▷ The UV sensor UVS 1 and its heat guard are removed from the viewing tube.



Replacing UVS 1 with heat guard with UVS 10D4

- ▷ UV sensor UVS 1 is removed from the viewing tube; the heat guard of the UVS 1 remains in the viewing tube.
- ▷ To remove the quartz glass from the heat guard of the UVS 1, an 18×2 mm face spanner must be used.



Contact

If you have any technical questions, please contact your local branch office/agent. The addresses are available on the Internet or from Elster GmbH.

We reserve the right to make technical modifications in the interests of progress.

elster
Kromschroder

Elster GmbH
Postfach 28 09, D-49018 Osnabrück
Strothweg 1, D-49504 Lotte (Büren)
T +49 541 1214-0
F +49 541 1214-370

info@kromschroeder.com, www.kromschroeder.com