

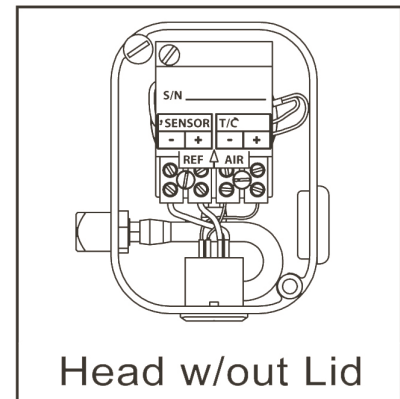
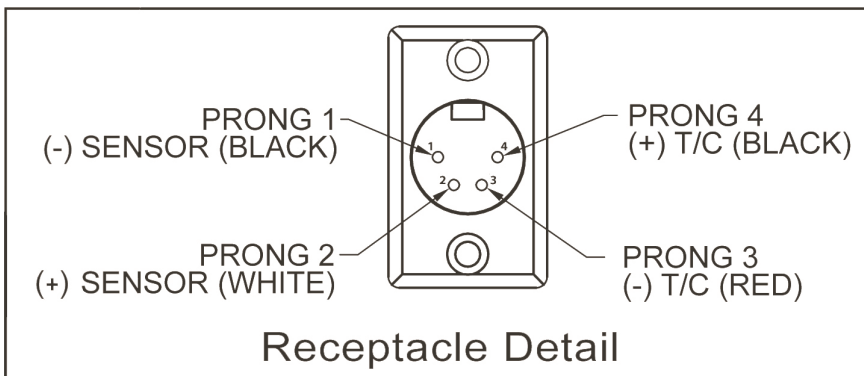
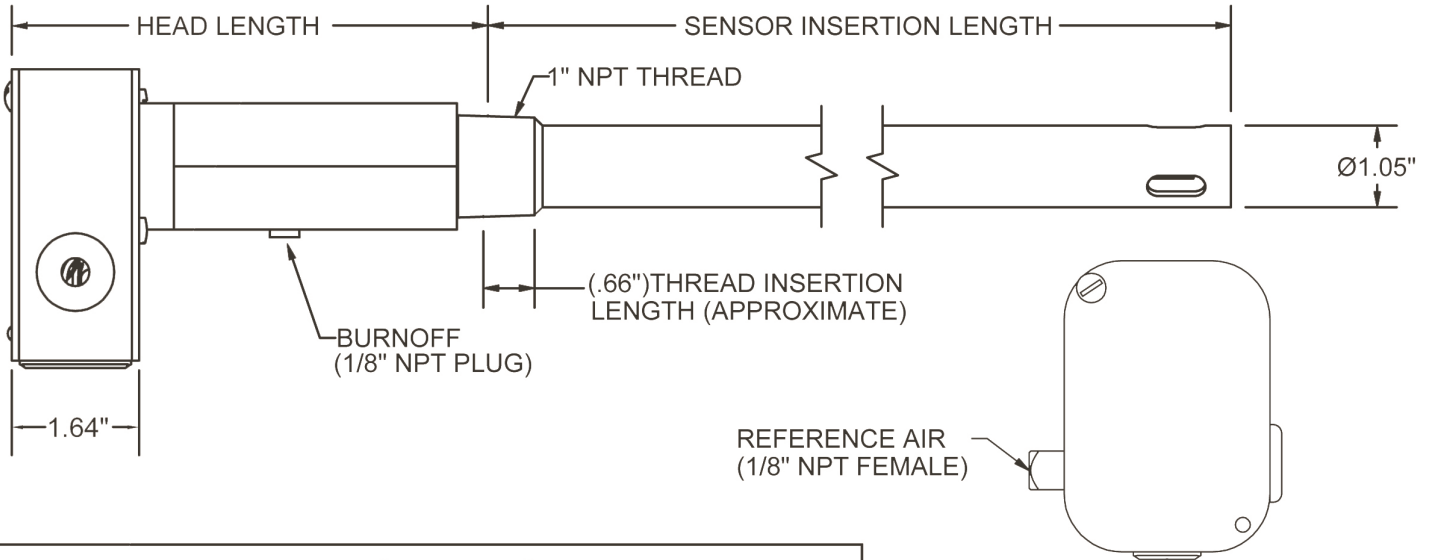


Best Steel Alloy Available

1.05" Diameter, schd. 40 sheath to Eliminate Probe Sag Problems

- Multiple Lengths up to 38" (964 mm)
- Can be Inserted up to 10" Inside the Furnace
- "Nearly New" Rebuild Service Includes New Substrate and Thermocouple
- K, R and S Type Thermocouples are Available
- Fast Probe Burn-off and Rapid Recovery Time
- Modular Design for Simple Refurbishment

Signal Plug for Easy Replacement



SENSOR		HEAD LENGTH (in)	INSERTION LENGTH	
PART #	T/C		(in)	(mm)
F100040	-	4.50	20.50	521
F100041	S	4.50	20.50	521
F100042	R	4.50	20.50	521
F100043	K	4.50	20.50	521
F100045	-	2.84	30.09	764
F100046	S	2.84	30.09	764
F100047	R	2.84	30.09	764
F100048	K	2.84	30.09	764
F100050	-	2.84	38	964
F100051	S	2.84	38	964
F100052	R	2.84	38	964
F100053	K	2.84	38	964

NOTES:

- 1) SENSOR SUPPLIED WITH TWO (2) PAIRS OF FITTINGS FOR USE IN REFERENCE AIR AND BURNOFF HOLES: 1/4" CPI & 1/8" BARB
- 2) TOLERANCES ARE:
 DECIMALS: .XX ± .01; .XXX ± .005;
 ANGLES: ± 1°