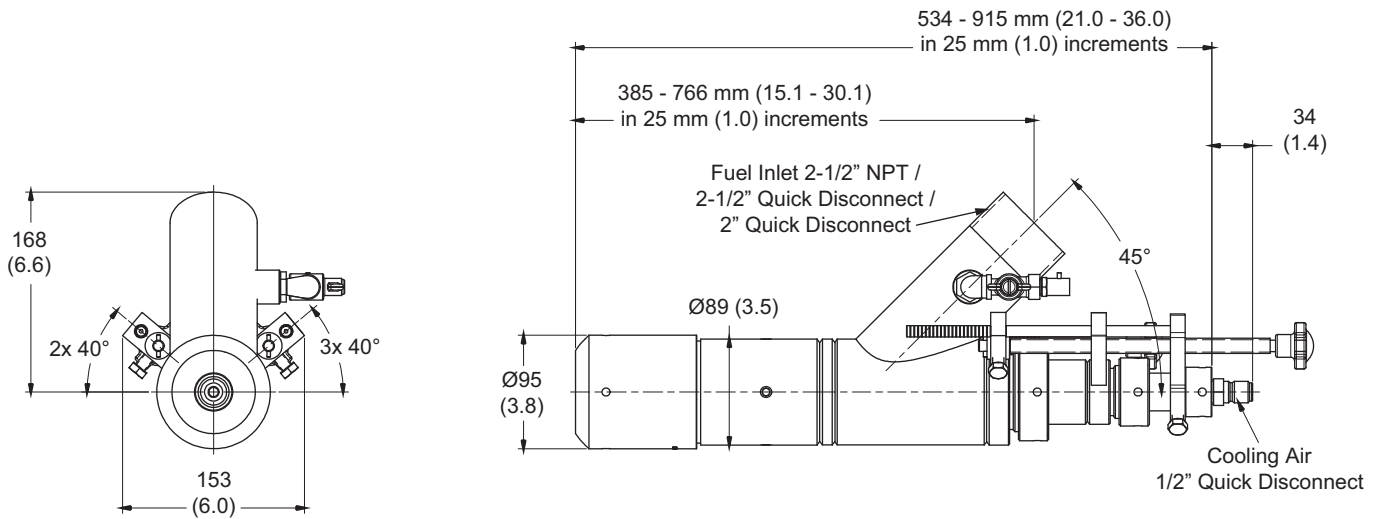


# Eclipse BrightFire 200 Burners

Model BRT Size M

Data sheet Edition 09.15

Version 1



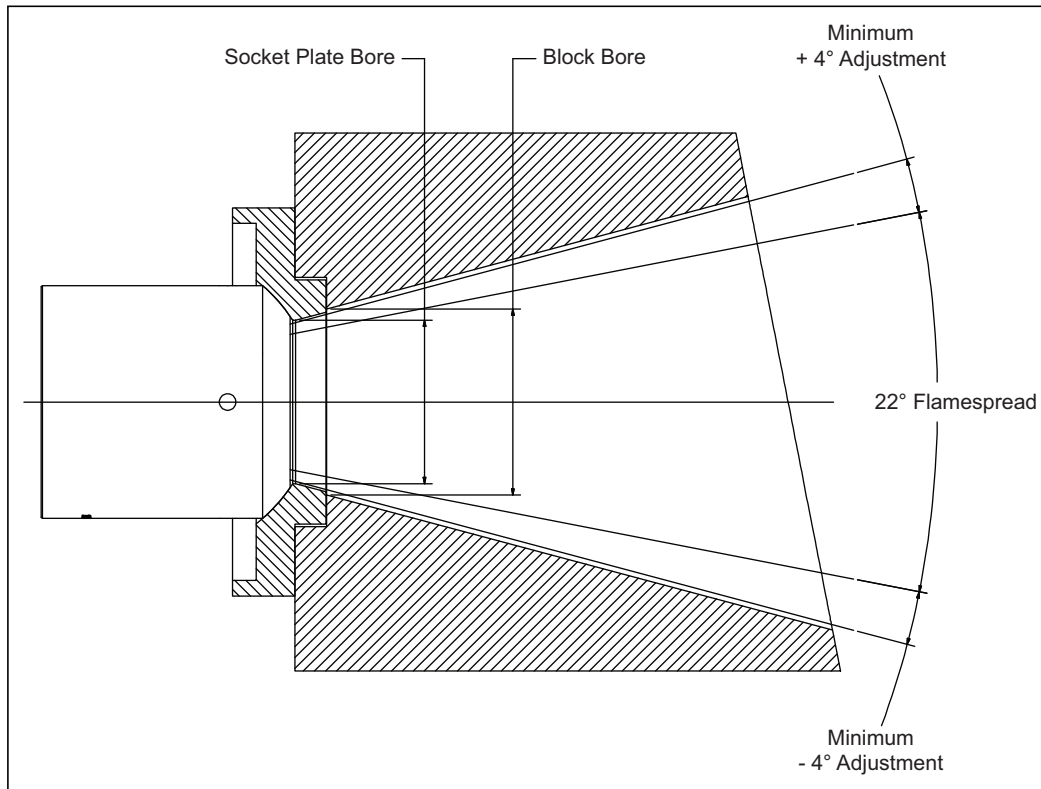
Parameter	Specification
<b>Burner Capacity, MM Btu/h (kW)</b>	5 - 17 (1465 - 4982)
<b>Required Gas Pressure at Gas Inlet, psi (mbar)<sup>1</sup></b>	0.5 - 7.0 (16.7 - 234.2)
<b>Internal Cooling Air Requirement, SCFM (NMCH)</b>	7 - 14 (11.3 - 22.6)
<b>Internal Cooling Air Pressure, psi (mbar)</b>	2 - 8 (138 - 552)
<b>Min. External Cooling Air Requirement, SCFM (NMCH)</b>	200 (322)
<b>Burner Length, inches (mm)</b>	21 - 36 (533.4 - 914.4)
<b>Oil Firing Range, MM Btu/h (kW)<sup>2</sup></b>	5 - 21 (1465 - 6153)
<b>Atomizing Air Flow for Oil Insert, SCFM (NMCH)</b>	13 - 66 (21 - 106)
<b>Atomizing Air Pressure, psi (bar)</b>	30 - 40 (2.1 - 2.8)

1. Gas pressure depends on input and velocity

2. Heavy fuel oils must be conditioned to a maximum viscosity of 100 SSU at the burner.

- All imperial inputs based upon gross calorific values (HHV). All metric inputs based upon net calorific values (LHV)
- Standard conditions: 1 atmosphere, 70°F (21°C)
- Normal conditions: 1 atmosphere, 32°F (0°C)
- Eclipse reserves the right to change the construction and/or configuration of our products at any time without being obliged to adjust earlier supplies accordingly.

The following chart shows recommended minimum block bore openings for nozzle capacity ranges to allow for at least four degrees of adjustment in either direction, as shown. Larger bore openings will allow for a larger range in adjustment for the flame angle.



Nozzle Size, MM Btu/h (kW)	ØA - Block Bore, inches (mm)*
5 - 7 (1465 - 2051)	2.40 (61)
8 - 9 (2344 - 2637)	2.64 (67)
10 - 11 (2930 - 3223)	2.87 (73)
13 - 15 (3809 - 4395)	3.11 (79)
17 (4982)	3.27 (83)

\*The absolute minimum block bore is 3 mm smaller than the values shown. Smaller bores will result in limited adjustment of the burner.